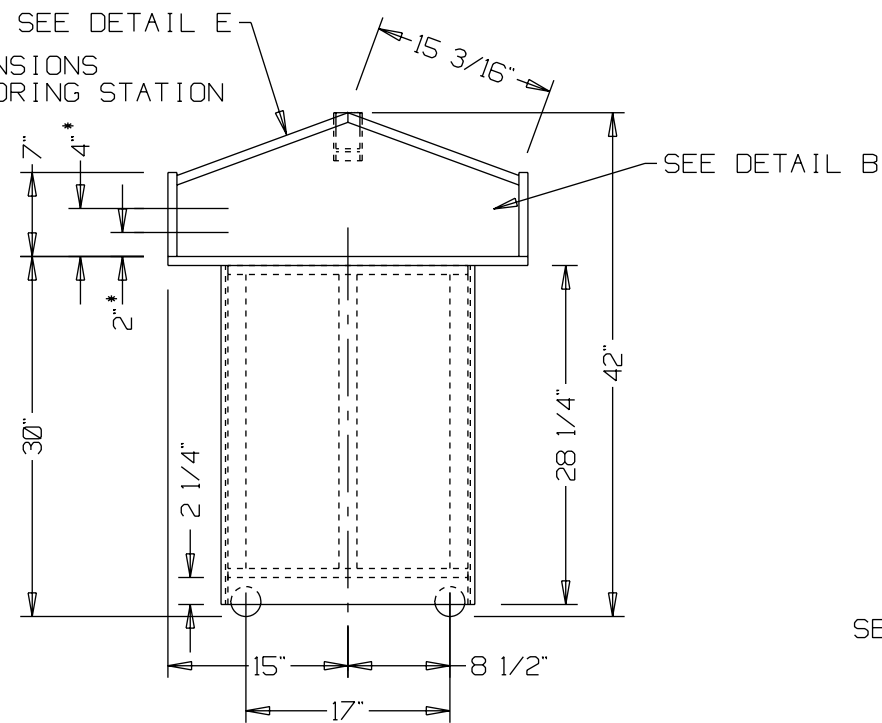


NOTES: UNLESS OTHERWISE SPECIFIED,
FASTEN ALL PARTS WITH
1 1/4" DRYWALL SCREWS

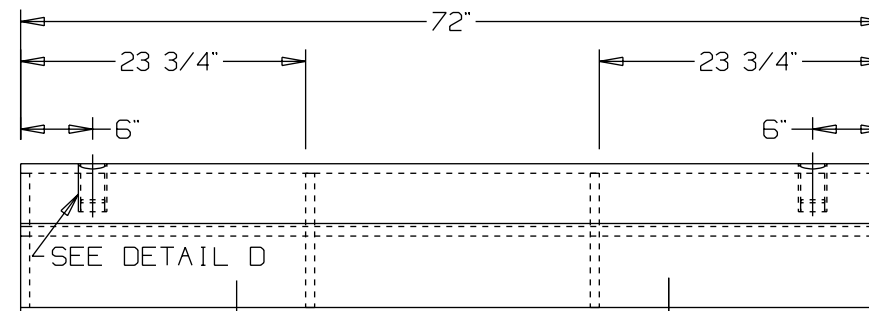
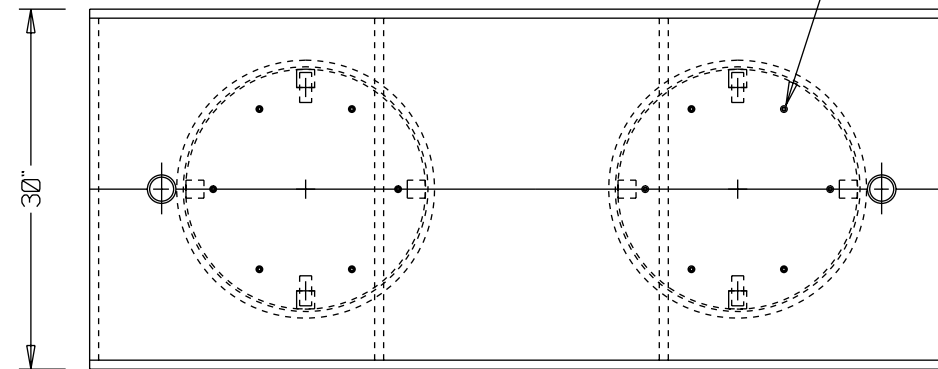
MULTIPURPOSE GLUE SUCH AS
LIQUID NAILS® MAY BE USED ON
ALL JOINTS

*OPTIONAL DIMENSIONS
FOR SHORTER SCORING STATION

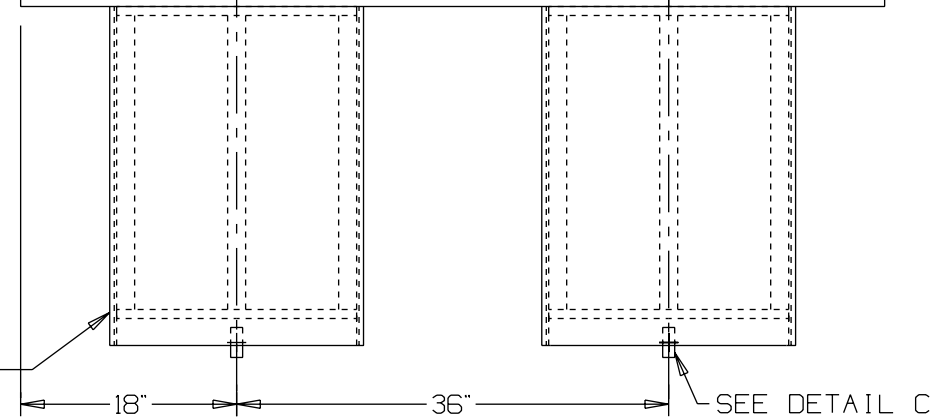


MOUNT LEGS TO TABLE BEFORE
MOUNTING SCORING SURFACE

(6) 1/4" X 1 1/2" LAG SCREWS & WASHERS
EQUALLY SPACED EACH LEG



SEE DETAIL A



© 1995 Accelerated Christian Education, Inc.
All rights reserved. Printed in the United States of America.
This publication may not be reproduced in whole or in part
in any form or by any means without permission from
Accelerated Christian Education, Inc.

ACCELERATED CHRISTIAN EDUCATION
OPTIONAL SCORING STATION

| | | |
|------------------|------------------|-----------------|
| DWG. NO. 0009 | REV. 950328-0 | SHEET 2 OF 3 |
|------------------|------------------|-----------------|